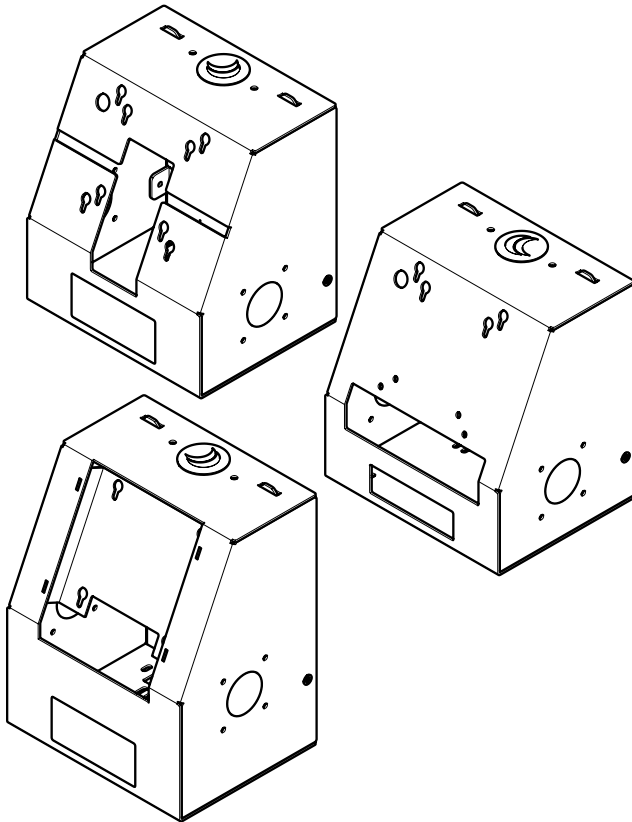


Installation Guide

SPK110 + SPK110-HP + SPK110-TOS

Kiosk Top Modules





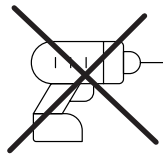
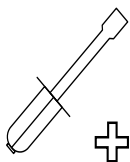
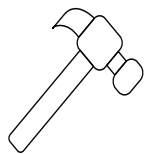
CAUTION

This product is intended for indoor use only.

If these installation instructions are not followed correctly, it could lead to product failure and potential personal injury.

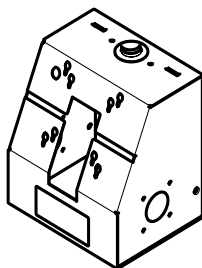
Ergonomic Solutions/SpacePole cannot be held responsible for any failure or injury, if the installation instructions are not followed correctly.

Tool list

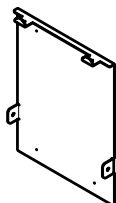


Box content

SPK110



x1 (A)



x1 (B)



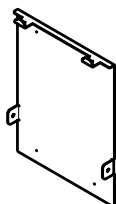
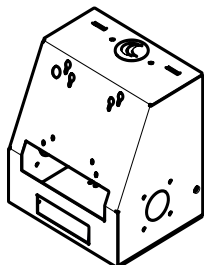
x4 M4x8



x2 M5x6
countersunk

OR

SPK110-TOS



x1 (B)



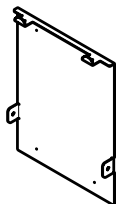
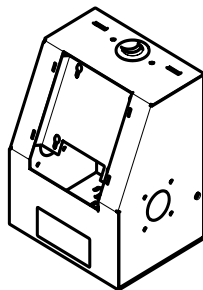
x4 M4x8



x2 M5x6
countersunk

OR

SPK110-HP



x1 (B)



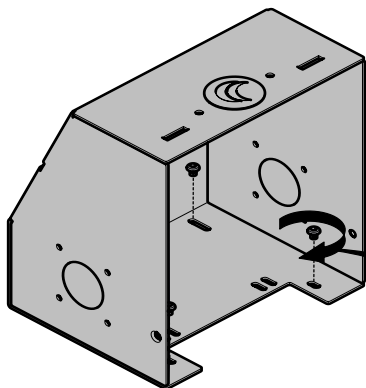
x4 M4x8



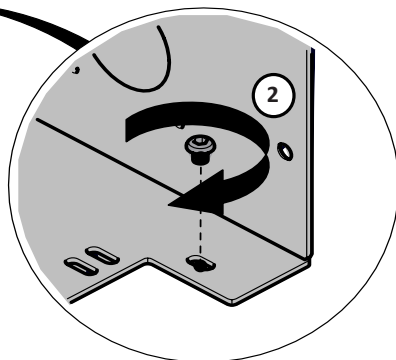
x2 M5x6
countersunk

1

Assemble Top and Center module



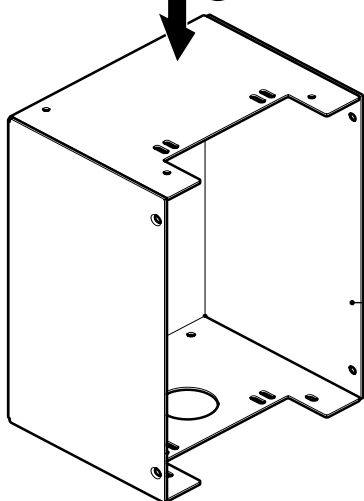
A



2



1

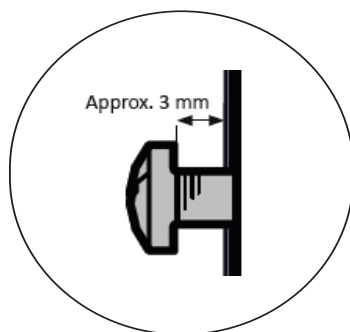
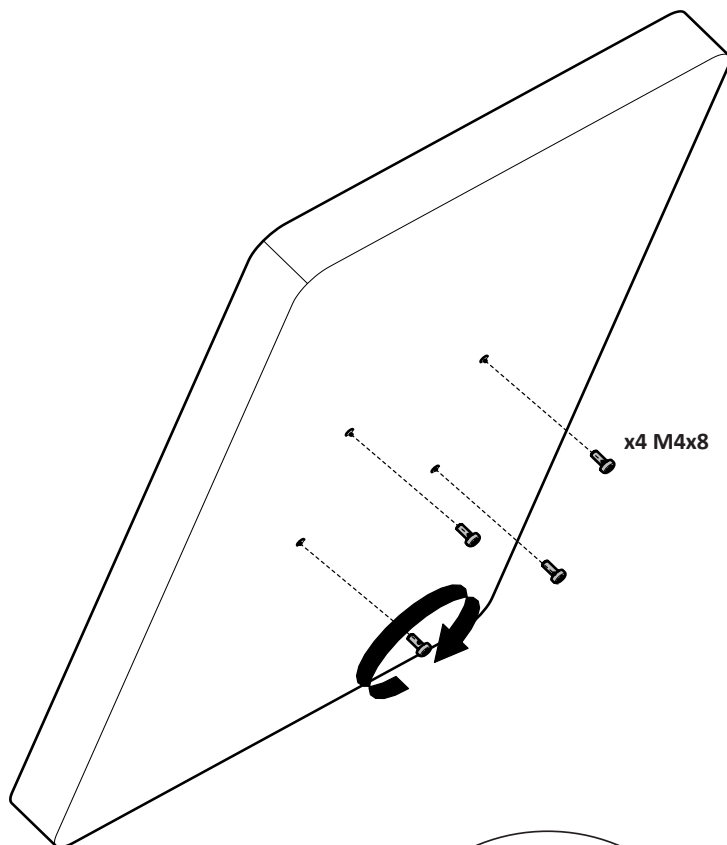


Screws supplied with SPK2XX.

SPK2XX
(supplied separately)

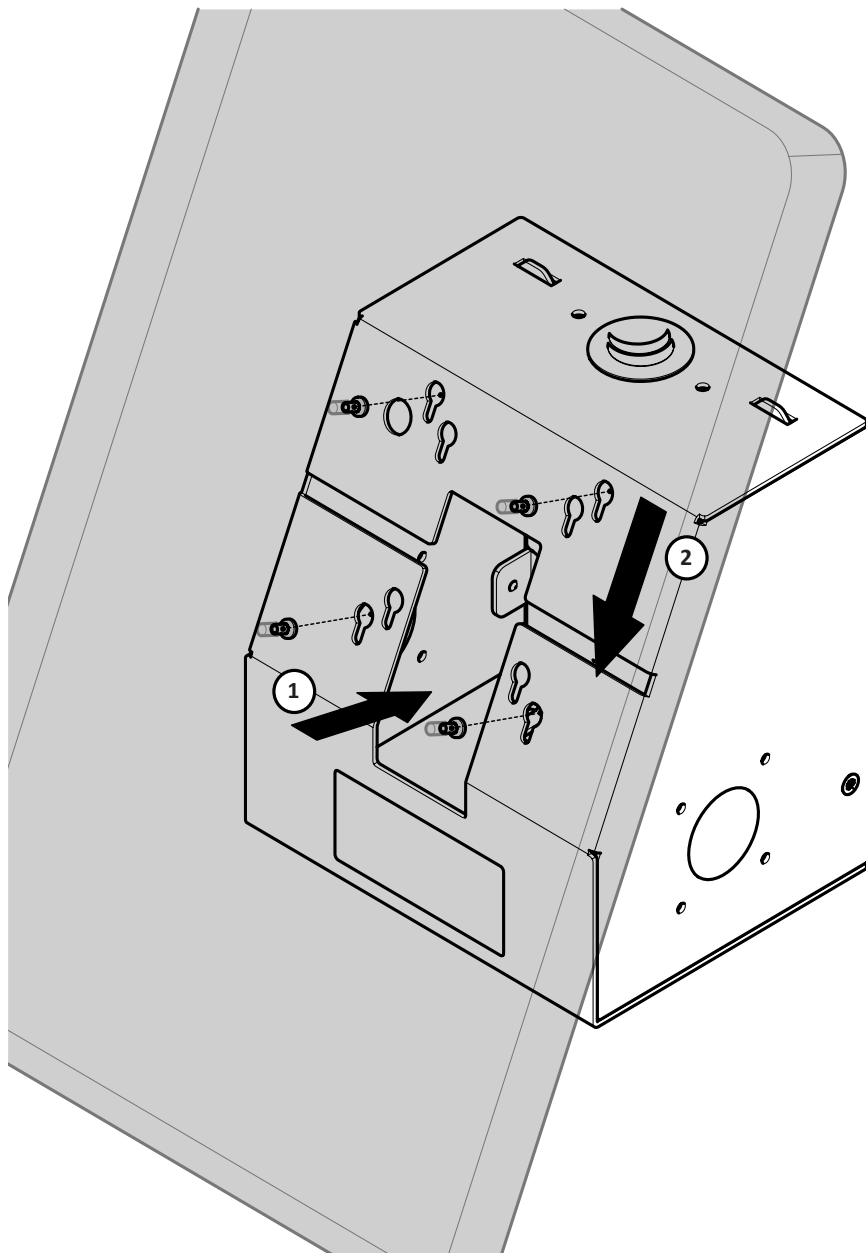
2

Prepare screen for installation



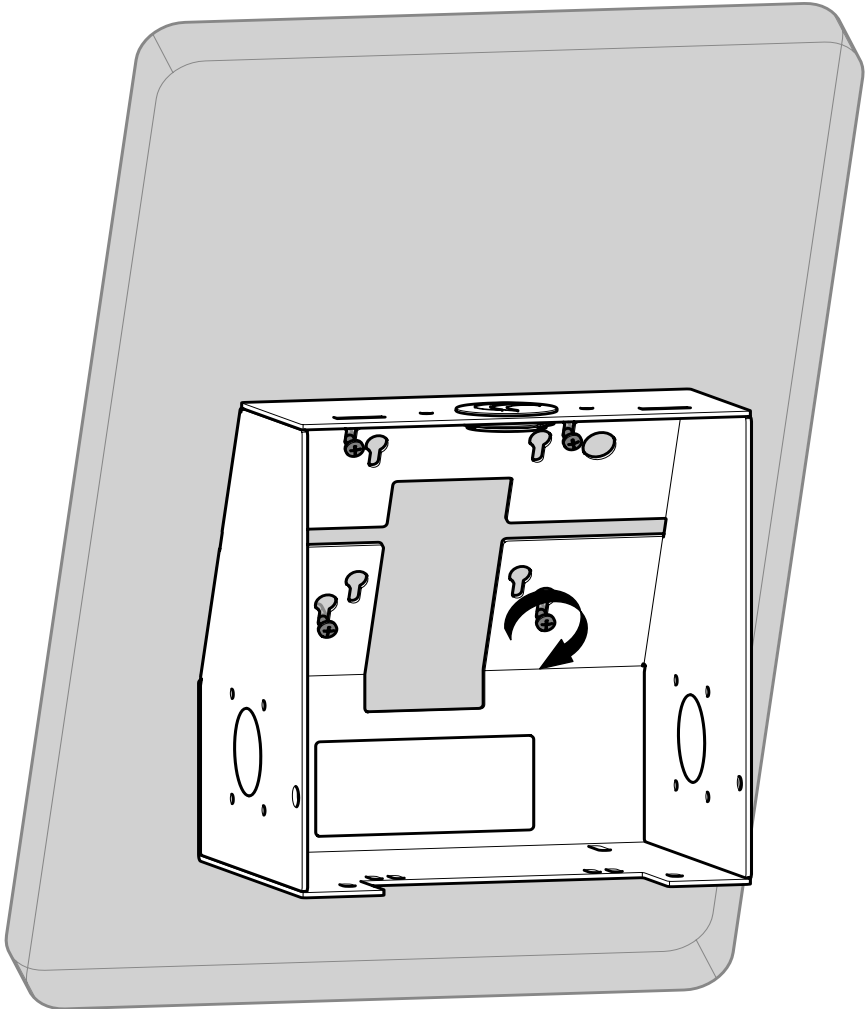
3

Install screen

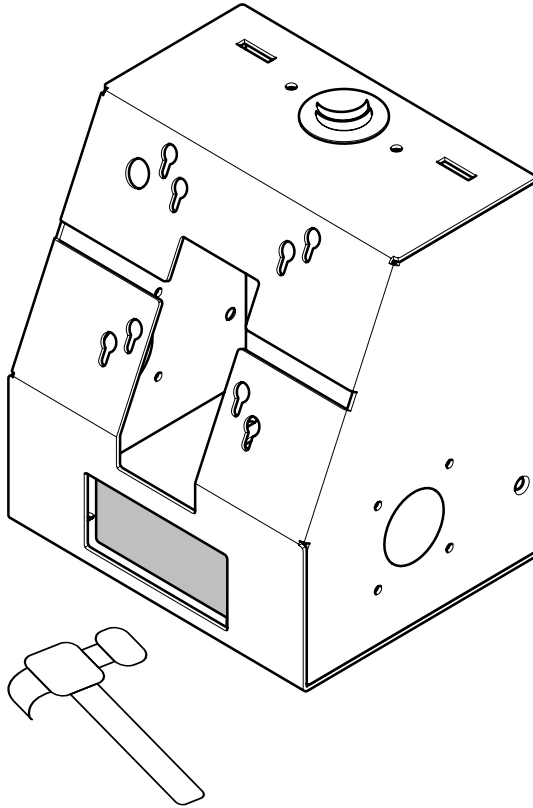


4

Tighten screws



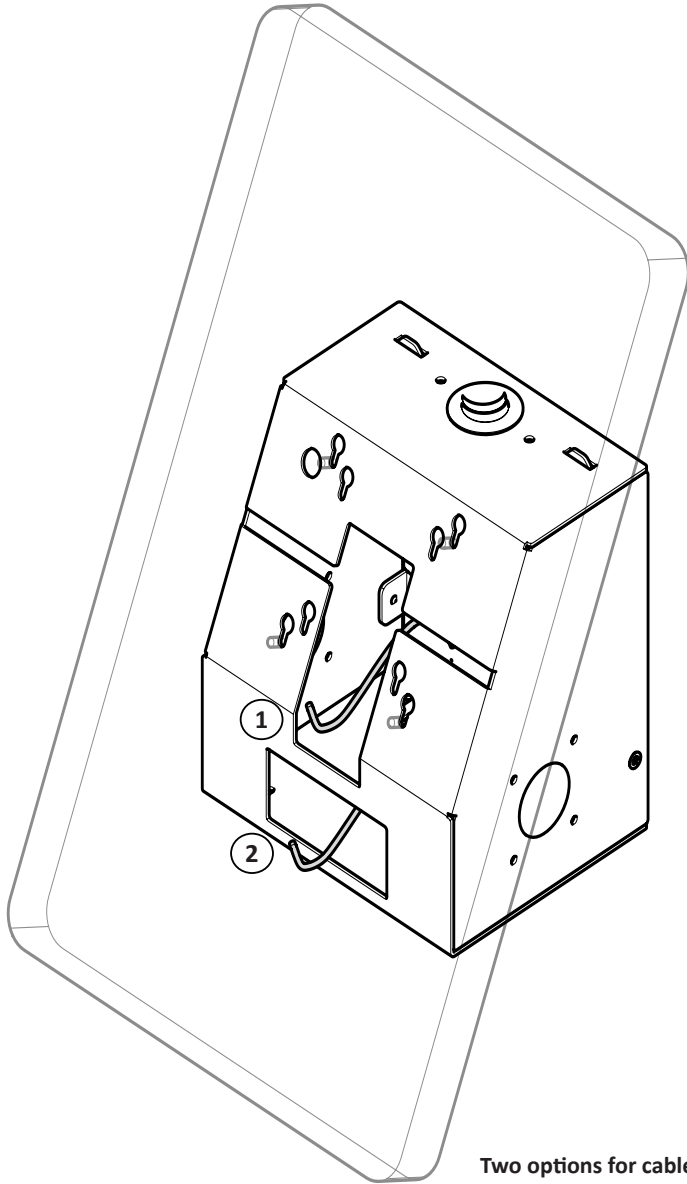
5A Optional: To use cable management option 2 in step 5B



Knock out the micro joint with the hammer

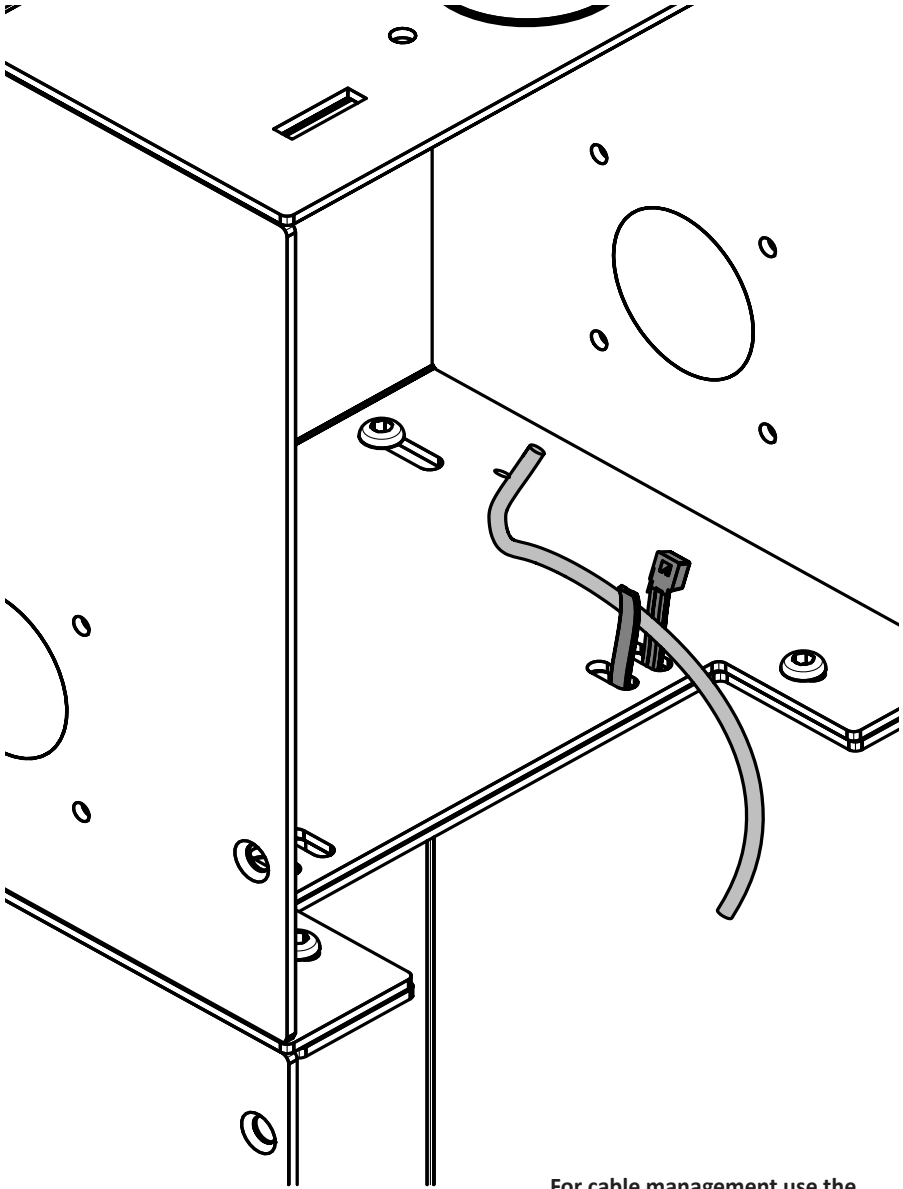
5B

Cable management from screen in to top module



Two options for cable management.

6 Internal cable management

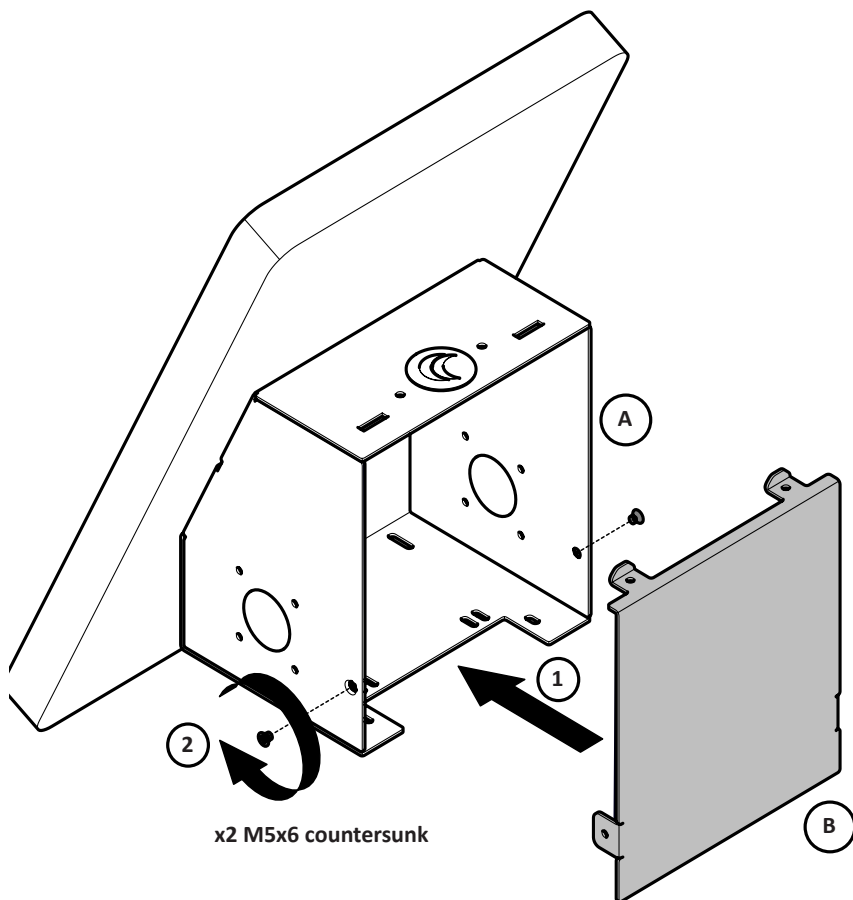


For cable management use the predefined holes and cable ties.

NB: Cable ties are not included.

7

Close the top module



Need help? Contact us



ergonomic[®]
solutions
creators of SpacePole



spacepole[®]
an ergonomic
solutions company

ergonomic.solutions/about/contact-us

spacepole.com/about/contact-us